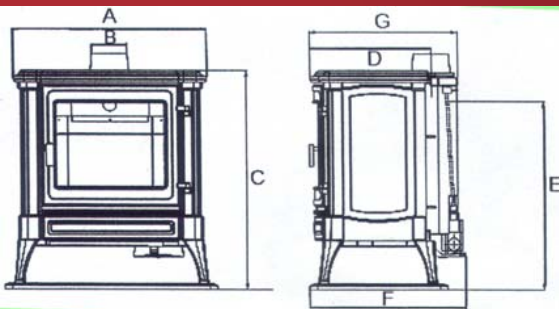


**SP
MODEL**



**HARMONY
MODEL**



Model #	A	B	C	D	E	F	G
SP31	25"	5" ext	32"	n/a	25"	19"	19"
SP41	30"	5" ext	34"	n/a	26"	22"	22"
Harmony 05	19 1/2"	5" ext	23"	15 1/2"	16"	17"	18"
Harmony 08	25 1/2"	5" ext	29"	15 1/2"	24 1/2"	18"	18"
Harmony 10	30"	5" ext	31"	17 1/2"	25"	20"	20"

Model	Output—BTU		Hourly oil consumption (US gal.)		Flue outlet size		Colors
	Minimum	Maximum	Minimum	Maximum	Inside	Outside	
SP 31	9130	27440	0.087	0.250	4"	5"	PAINTED: Graphite ENAMELLED: Green Brown Black Enamel Blue
SP 41	10970	36360	0.108	0.330	4"	5"	
Harmony 05	6140	18230	0.048	0.174	4"	5"	
Harmony 08	9130	27440	0.087	0.250	4"	5"	
Harmony 10	10970	36360	0.108	0.330	4"	5"	

CLEARANCES TO COMBUSTIBLES

	A	B	C	Flue Pipe
Harmony 05	6"	13"	6"	9"
All other models	12"	19"	12"	12"

These clearances can be reduced:

- A. By putting a UL-ULC listed heat shield. Depending on the type you use, clearances may be reduced by 50%, 60%, or 75%.
- B. By using a sheet metal spacing 22 mm from the wall, clearances may be reduced by 50%.

The measurements are for advice only.

In all installations, surrounding inflammable materials must not exceed 176° F (80°C). The stove must always stand perfectly level and have sufficient space allowed for service work.

